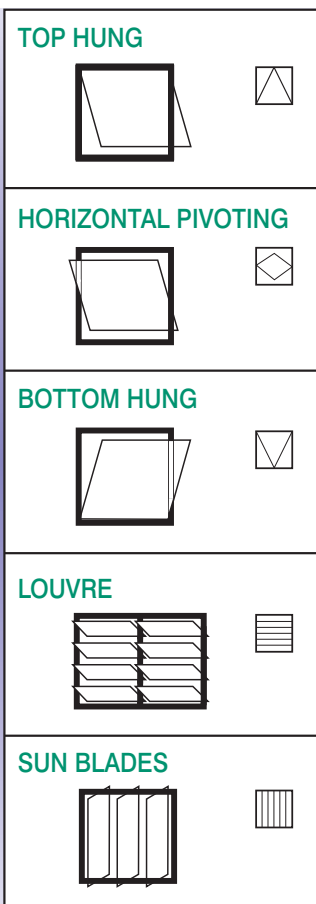


Manual Ventilation Control remote window openers



Features

- Unobtrusive, reliable opening mechanisms
- Provides control for individual or multiple openings
- Various opening lengths of up to 400mm
- Applicable to many window types
- Quick and versatile on-site installation

Manual remote opening systems can enable a number of high level windows to be operated from one single operator.

The chain opens the window via a rotary control handle, which drives a steel helical cable. The cable runs within a nylon lined steel conduit.

The conduit can be formed and installed on-site to overcome any difficult building contours.

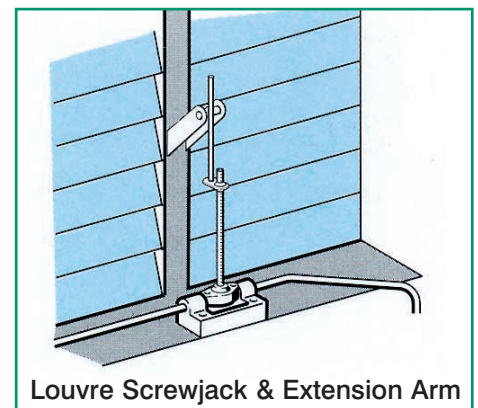
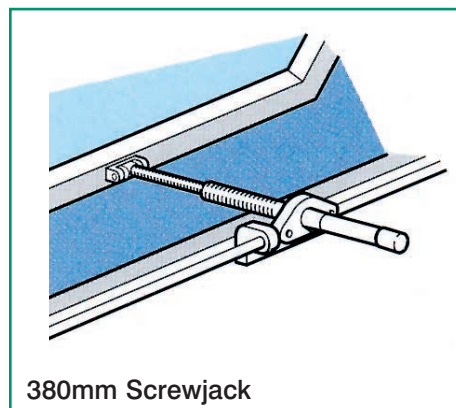
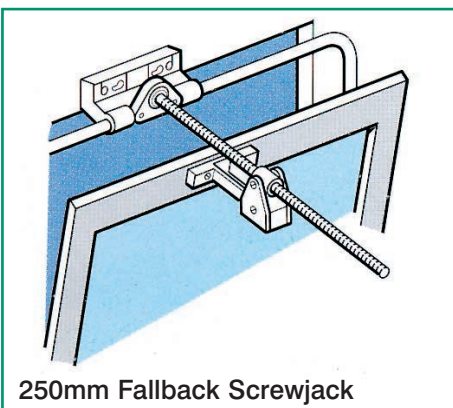
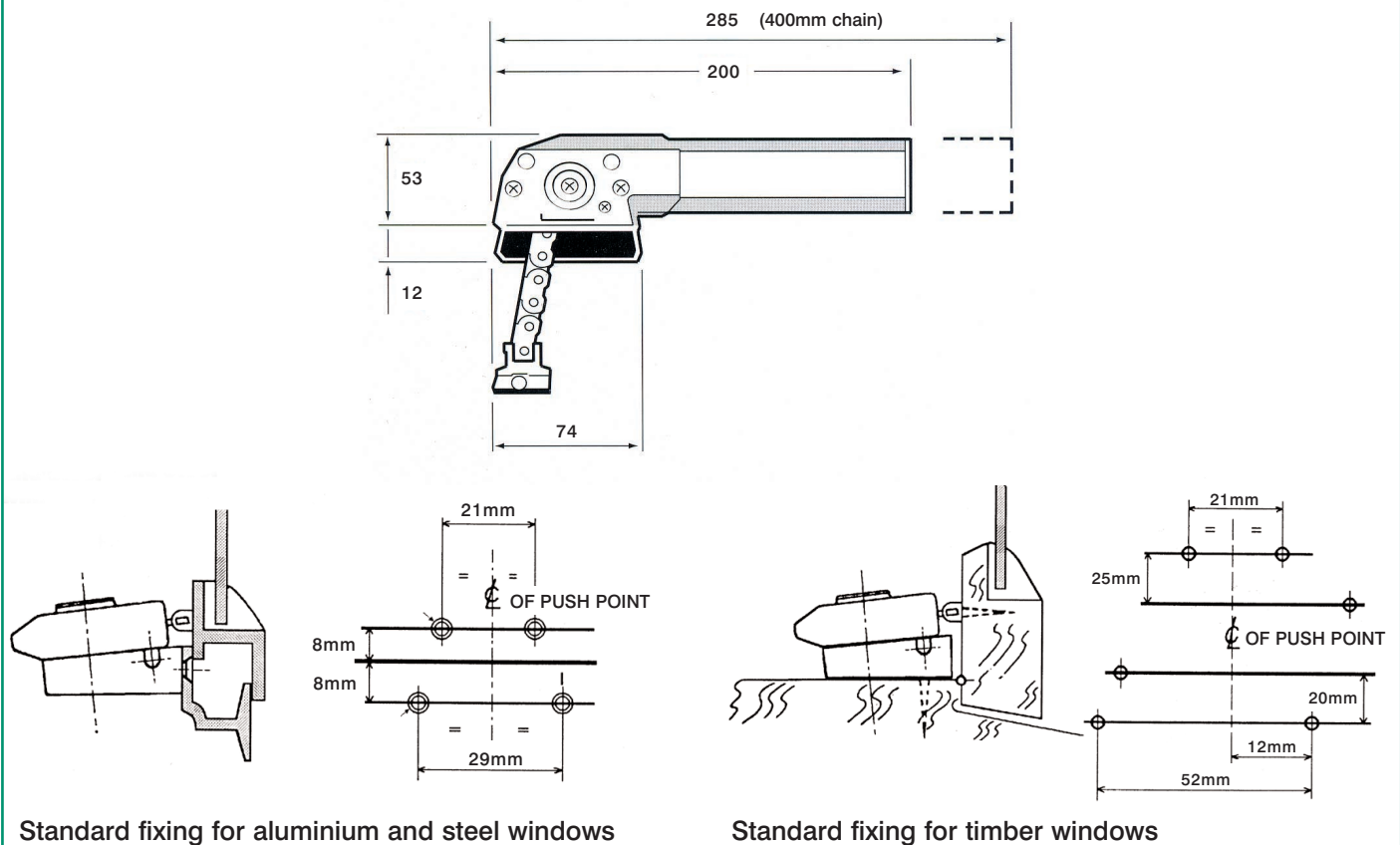
Opening Mechanisms

- Chain openers - 250mm and 400mm openings
- Screwjack openers - heavy duty/louvres
- Fork & swivel - louvres
- Locking openers - bottom hung openings

Control Operators & Transmission

- Flat operators & concealed operators
- Mini & midi operators
- Maxi heavy duty operators
- Helical steel cable and 12mm diameter lined conduit

Chain Opener - 250mm & 400mm openings



Dyer Environmental Controls Limited